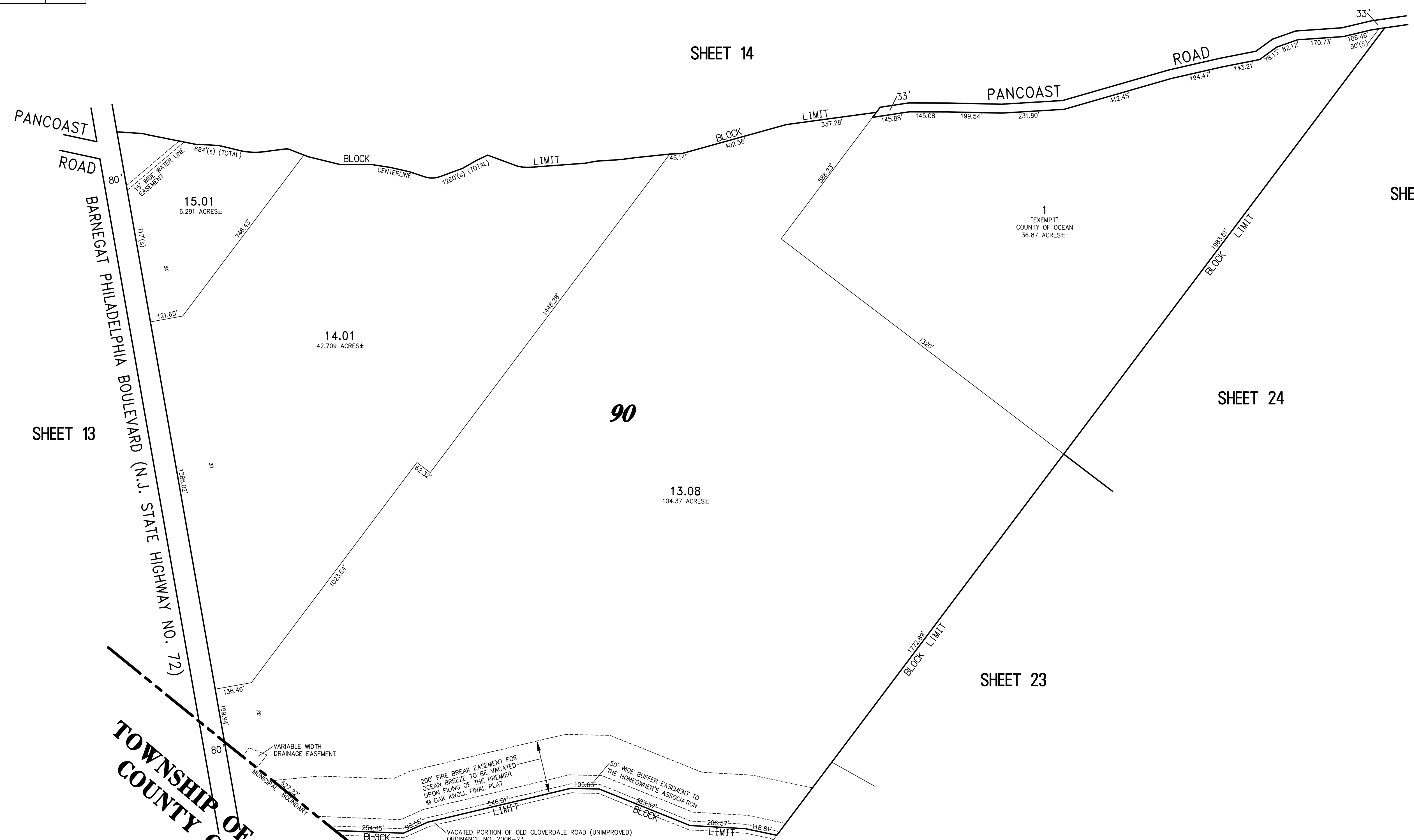
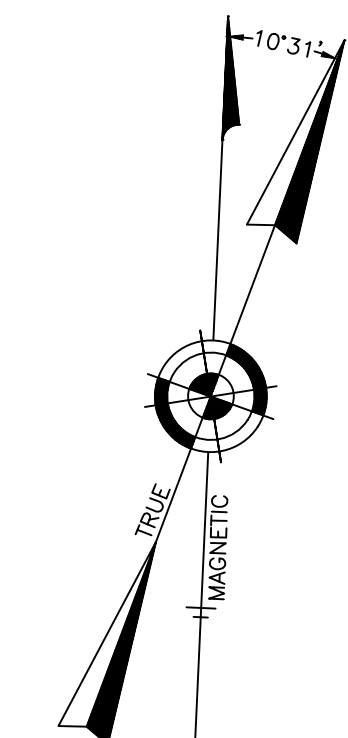


REVISIONS		
12-31-2008	CRAIG F. REMINGTON	23924
3-12-2013	CRAIG F. REMINGTON	23924
12-17-2018	CHARLES E. ADAMSON	42627
10-25-2019	CHARLES E. ADAMSON	42627



SHEET 13

SHEET 14

SHEET 22

SHEET 24

SHEET 23

SHEET 23

TOWNSHIP OF STAFFORD
COUNTY OF OCEAN

"THIS TAX MAP PLATE HAS BEEN DIGITALLY DRAWN USING COMPUTER-AIDED DRAFTING/DESIGN (CADD) AND COORDINATE GEOMETRY (COGO). IT IS BASED ON THE ORIGINAL DIGITALLY DRAWN TAX MAP PLATE BEARING THE OFFICIAL NEW JERSEY DIVISION OF TAXATION APPROVAL STAMP WITH APPROVAL DATE (7-31-2008) SERIAL NUMBER (896) AND SIGNATURES OF SIGNERS: JAMES J. COLL, CHIEF, LOCAL ASSESSMENT; SANTO C. DIDONATO, SUPERVISING FIELD REPRESENTATIVE. THE ORIGINAL DIGITALLY DRAWN TAX MAP PLATE WITH THE OFFICIAL APPROVAL STAMP IS ON FILE WITH THE TOWNSHIP OF BARNEGAT ENGINEER."

TAX MAP
TOWNSHIP OF BARNEGAT

OCEAN COUNTY NEW JERSEY
 SCALE: 1" = 200' DATE: 4-6-2005

CRAIG F. REMINGTON LAND SURVEYOR LIC. NO. 23924

REMINGTON, VERNICK & VENA ENGINEERS
 9 ALLEN STREET, TOMS RIVER, N.J. 08753
 (732) 286-9220; FAX (732) 505-8446
 WEB SITE ADDRESS: WWW.RVVE.COM

TO SHOW CONDITIONS AS OF 11-23-2021