

886 West Bay, LLC
90 W. Sylvania Ave.
Neptune City, NJ 07753
Tel: (732)988-7500



July 15, 2020

Township of Barnegat
900 West Bay Ave.
Barnegat, NJ 08005

RE: Vinnie's Pizzeria/Restaurant
886 West Bay Ave., Barnegat

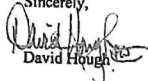
To Whom It May Concern:

We are the owner of the property known as Settlers Landing Shopping Center located at 886 West Bay Avenue, Barnegat, New Jersey. One of our tenants, Kathy Celestino of Vinnie's Pizzeria/Restaurant, would like to put a storage shed in the back corner of the property. The specifications given for the shed are that it measures 6 ft x 8 ft x 7 ft and is made of galvanized steel.

As Landlord, we give our approval to the tenant to put in the storage shed in the back of the plaza. The tenant will be responsible for following the township's requirements, if any, for the installation.

If there are any questions, please feel free to contact us.

Sincerely,



David Hough

DH:tw

Nordic Metal Storage Shed

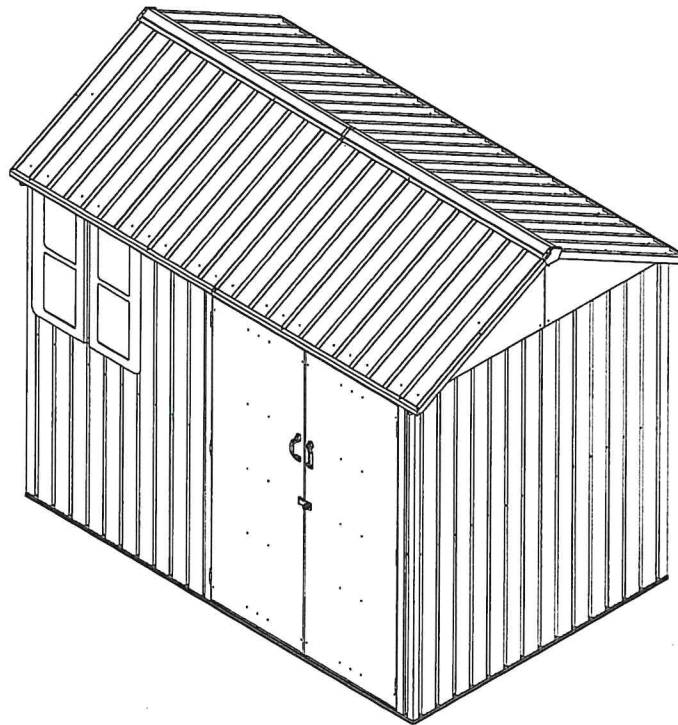
OWNER'S MANUAL

Instructions for Assembly

RECEIVED

JUL 17 2020





















*Barnegat Township
Planning & Zoning*



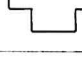
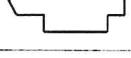



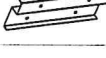



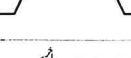




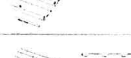





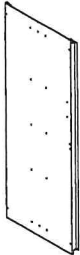
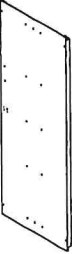
9820008-1
9820008-2




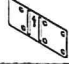

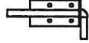





Overall Size: L 172 x W 259 x H 222 cm
Overall Size: L 5.5 x W 8.5 x H 7.2 feet

Requires two people taking at least 3-4 hours for installation
Quick & Easy Assembly
Ridge Reinforced Walls

NO.	PART	Qty.
1	 1608mm/63.3"	2
2L	 1276mm/50.23"	1
2R	 1276mm/50.23"	1
3L	 1062mm/41.81"	1
3R	 1490mm/58.66"	1
2	 1574mm/61.96"	4
10L	 1436mm/56.53"	1
10R	 1008mm/39.68"	2
23L	 1332mm/52.44"	1
23R	 1118mm/44"	2
31	 1577mm/62.08"	2
29	 4	4
29-1	 4	4
13	 1239mm/48.77"	2
14	 1239mm/48.77"	2
17L	 935mm/36.81"	2
17R	 935mm/36.81"	2
15	 1317mm/51.85"	2
16	 1317mm/51.85"	2
19	 1302mm/51.25"	2

NO.	PART	Qty.
4L	 1750mm/68.89"	1
4R	 1750mm/68.89"	1
30	 584mm/22.99"	4
5	 1436mm/56.53"	1
21L	 2	2
21R	 2	2
21	 359mm/14.13"	2
B5	 200mm/7.87"	2
20	 2	2
C	 1	1
C1	 200mm/7.87"	8
C2	 300mm/11.81"	1
P0	 1030mm/40.55"	1
P2	 1750mm/68.89"	7
P3	 1750mm/68.89"	1
P4	 1750mm/68.89"	4
P7	 950mm/37.4"	8
P10	 950mm/37.4"	2
P11	 950mm/37.4"	2
P01	 690mm/27.16"	2

NO.	PART	Qty.
D1		1
D2		1

NO.	PART	Qty.
B7		2
B6		6
GB1		1
H3		1
GS		4
H2		2
S2		260
S3		396
F1	 #8AB-16x2/13	515
F2	 #8-32x2/13	35
F3	 #8-32x2/13	36