

MAR 17 2022

OMB No. 1660-0008
 Expiration Date: November 30, 2022

Asst. 6/18/20

CONSTRUCTION OFFICE

ELEVATION CERTIFICATE

Important: Follow the instructions on pages 1-9.

Copy all pages of this Elevation Certificate and all attachments for (1) community official, (2) insurance agent/company, and (3) building owner.

SECTION A - PROPERTY INFORMATION				FOR INSURANCE COMPANY USE	
A1. Building Owner's Name 126 Clifton Road, LLC and Lawrence Marro				Policy Number:	
A2. Building Street Address (including Apt., Unit, Suite, and/or Bldg. No.) or P.O. Route and Box No. 126 Clifton Road				Company NAIC Number:	
City Barnegat		State New Jersey		ZIP Code 08005	
A3. Property Description (Lot and Block Numbers, Tax Parcel Number, Legal Description, etc.) Lot 58 Block 199					
A4. Building Use (e.g., Residential, Non-Residential, Addition, Accessory, etc.) <u>Residential</u>					
A5. Latitude/Longitude: Lat. <u>39°45'43.20"</u> Long. <u>74°11'36.51"</u> Horizontal Datum: <input type="checkbox"/> NAD 1927 <input checked="" type="checkbox"/> NAD 1983					
A6. Attach at least 2 photographs of the building if the Certificate is being used to obtain flood insurance.					
A7. Building Diagram Number <u>6</u>					
A8. For a building with a crawlspace or enclosure(s):					
a) Square footage of crawlspace or enclosure(s) <u>1573.00</u> sq ft					
b) Number of permanent flood openings in the crawlspace or enclosure(s) within 1.0 foot above adjacent grade <u>8</u>					
c) Total net area of flood openings in A8.b <u>1600.00</u> sq in					
d) Engineered flood openings? <input checked="" type="checkbox"/> Yes <input type="checkbox"/> No					
A9. For a building with an attached garage:					
a) Square footage of attached garage <u>0.00</u> sq ft					
b) Number of permanent flood openings in the attached garage within 1.0 foot above adjacent grade <u>0</u>					
c) Total net area of flood openings in A9.b <u>0.00</u> sq in					
d) Engineered flood openings? <input type="checkbox"/> Yes <input checked="" type="checkbox"/> No					
SECTION B - FLOOD INSURANCE RATE MAP (FIRM) INFORMATION					
B1. NFIP Community Name & Community Number Township of Barnegat #340396			B2. County Name Ocean		B3. State New Jersey
B4. Map/Panel Number 34029C0414	B5. Suffix F	B6. FIRM Index Date 09-29-2006	B7. FIRM Panel Effective/ Revised Date 09-29-2006	B8. Flood Zone(s) AE	B9. Base Flood Elevation(s) (Zone AO, use Base Flood Depth) 6
B10. Indicate the source of the Base Flood Elevation (BFE) data or base flood depth entered in Item B9: <input type="checkbox"/> FIS Profile <input checked="" type="checkbox"/> FIRM <input type="checkbox"/> Community Determined <input type="checkbox"/> Other/Source: _____					
B11. Indicate elevation datum used for BFE in Item B9: <input type="checkbox"/> NGVD 1929 <input checked="" type="checkbox"/> NAVD 1988 <input type="checkbox"/> Other/Source: _____					
B12. Is the building located in a Coastal Barrier Resources System (CBRS) area or Otherwise Protected Area (OPA)? <input type="checkbox"/> Yes <input checked="" type="checkbox"/> No Designation Date: _____ <input type="checkbox"/> CBRS <input type="checkbox"/> OPA					

ELEVATION CERTIFICATE

OMB No. 1660-0008
Expiration Date: November 30, 2022

IMPORTANT: In these spaces, copy the corresponding information from Section A.			FOR INSURANCE COMPANY USE
Building Street Address (including Apt., Unit, Suite, and/or Bldg. No.) or P.O. Route and Box No. 126 Clifton Road			Policy Number:
City Barnegat	State New Jersey	ZIP Code 08005	Company NAIC Number

SECTION C – BUILDING ELEVATION INFORMATION (SURVEY REQUIRED)

C1. Building elevations are based on: Construction Drawings* Building Under Construction* Finished Construction
*A new Elevation Certificate will be required when construction of the building is complete.

C2. Elevations – Zones A1–A30, AE, AH, A (with BFE), VE, V1–V30, V (with BFE), AR, AR/A, AR/AE, AR/A1–A30, AR/AH, AR/AO. Complete Items C2.a–h below according to the building diagram specified in Item A7. In Puerto Rico only, enter meters.

Benchmark Utilized: GPS observations Vertical Datum: NAVD 1988

Indicate elevation datum used for the elevations in items a) through h) below.

NGVD 1929 NAVD 1988 Other/Source: _____

Datum used for building elevations must be the same as that used for the BFE.

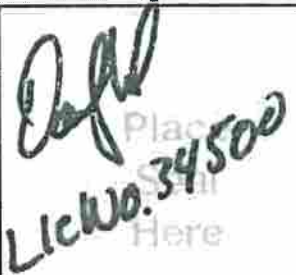

Check the measurement used.

- | | | | |
|---|-------------|--|---------------------------------|
| a) Top of bottom floor (including basement, crawlspace, or enclosure floor) | <u>5.7</u> | <input checked="" type="checkbox"/> feet | <input type="checkbox"/> meters |
| b) Top of the next higher floor | <u>15.1</u> | <input checked="" type="checkbox"/> feet | <input type="checkbox"/> meters |
| c) Bottom of the lowest horizontal structural member (V Zones only) | <u>N/A</u> | <input type="checkbox"/> feet | <input type="checkbox"/> meters |
| d) Attached garage (top of slab) | <u>N/A</u> | <input type="checkbox"/> feet | <input type="checkbox"/> meters |
| e) Lowest elevation of machinery or equipment servicing the building
(Describe type of equipment and location in Comments) | <u>10.5</u> | <input checked="" type="checkbox"/> feet | <input type="checkbox"/> meters |
| f) Lowest adjacent (finished) grade next to building (LAG) | <u>5.4</u> | <input checked="" type="checkbox"/> feet | <input type="checkbox"/> meters |
| g) Highest adjacent (finished) grade next to building (HAG) | <u>5.7</u> | <input checked="" type="checkbox"/> feet | <input type="checkbox"/> meters |
| h) Lowest adjacent grade at lowest elevation of deck or stairs, including structural support | <u>5.2</u> | <input checked="" type="checkbox"/> feet | <input type="checkbox"/> meters |

SECTION D – SURVEYOR, ENGINEER, OR ARCHITECT CERTIFICATION

This certification is to be signed and sealed by a land surveyor, engineer, or architect authorized by law to certify elevation information. I certify that the information on this Certificate represents my best efforts to interpret the data available. I understand that any false statement may be punishable by fine or imprisonment under 18 U.S. Code, Section 1001.

Were latitude and longitude in Section A provided by a licensed land surveyor? Yes No Check here if attachments.

Certifier's Name David J. Von Steenburg, P.L.S.	License Number 34500		
Title P.L.S.			
Company Name Morgan Engineering, LLC			
Address P.O. Box 5232			
City Toms River	State New Jersey		ZIP Code 08754
Signature 	Date 03-04-2022	Telephone (732) 270-9690	Ext.

Copy all pages of this Elevation Certificate and all attachments for (1) community official, (2) insurance agent/company, and (3) building owner.

Comments (including type of equipment and location, per C2(e), if applicable)
The dwelling sits on pilings with an enclosure. The hot water heater is lifted in the enclosure at elevation 10.5'. The furnace is lifted in the enclosure at elevation 10.9'. The air conditioner unit sits outside on a platform at elevation 10.9'. Engineered flood vent: Smart Vent 1540-570. Latitude and longitude recorded from Google Earth. Benchmark elevation established through GPS observations and Leica RTK Network. (Preliminary FEMA Zone/Elev - AE 8 [34029C0414G - Revised Preliminary January 30, 2015])

(E22-00430)

ELEVATION CERTIFICATE

OMB No. 1660-0008
Expiration Date: November 30, 2022

IMPORTANT: In these spaces, copy the corresponding information from Section A.			FOR INSURANCE COMPANY USE
Building Street Address (including Apt., Unit, Suite, and/or Bldg. No.) or P.O. Route and Box No. 126 Clifton Road			Policy Number:
City Barnegat	State New Jersey	ZIP Code 08005	Company NAIC Number

**SECTION E – BUILDING ELEVATION INFORMATION (SURVEY NOT REQUIRED)
FOR ZONE AO AND ZONE A (WITHOUT BFE)**

For Zones AO and A (without BFE), complete Items E1–E5. If the Certificate is intended to support a LOMA or LOMR-F request, complete Sections A, B, and C. For Items E1–E4, use natural grade, if available. Check the measurement used. In Puerto Rico only, enter meters.

- E1. Provide elevation information for the following and check the appropriate boxes to show whether the elevation is above or below the highest adjacent grade (HAG) and the lowest adjacent grade (LAG).
- a) Top of bottom floor (including basement, crawlspace, or enclosure) is _____ feet meters above or below the HAG.
- b) Top of bottom floor (including basement, crawlspace, or enclosure) is _____ feet meters above or below the LAG.
- E2. For Building Diagrams 6–9 with permanent flood openings provided in Section A Items 8 and/or 9 (see pages 1–2 of Instructions), the next higher floor (elevation C2.b in the diagrams) of the building is _____ feet meters above or below the HAG.
- E3. Attached garage (top of slab) is _____ feet meters above or below the HAG.
- E4. Top of platform of machinery and/or equipment servicing the building is _____ feet meters above or below the HAG.
- E5. Zone AO only: If no flood depth number is available, is the top of the bottom floor elevated in accordance with the community's floodplain management ordinance? Yes No Unknown. The local official must certify this information in Section G.

SECTION F – PROPERTY OWNER (OR OWNER'S REPRESENTATIVE) CERTIFICATION

The property owner or owner's authorized representative who completes Sections A, B, and E for Zone A (without a FEMA-issued or community-issued BFE) or Zone AO must sign here. The statements in Sections A, B, and E are correct to the best of my knowledge.

Property Owner or Owner's Authorized Representative's Name

Address _____ City _____ State _____ ZIP Code _____

Signature _____ Date _____ Telephone _____

Comments

Check here if attachments.

BUILDING PHOTOGRAPHS

OMB No. 1660-0008
Expiration Date: November 30, 2022

ELEVATION CERTIFICATE

See Instructions for Item A6.

IMPORTANT: In these spaces, copy the corresponding information from Section A.			FOR INSURANCE COMPANY USE
Building Street Address (including Apt., Unit, Suite, and/or Bldg. No.) or P.O. Route and Box No. 126 Clifton Road			Policy Number:
City Barnegat	State New Jersey	ZIP Code 08005	Company NAIC Number

If using the Elevation Certificate to obtain NFIP flood insurance, affix at least 2 building photographs below according to the instructions for Item A6. Identify all photographs with date taken; "Front View" and "Rear View"; and, if required, "Right Side View" and "Left Side View." When applicable, photographs must show the foundation with representative examples of the flood openings or vents, as indicated in Section A8. If submitting more photographs than will fit on this page, use the Continuation Page.



Photo One

Photo One Caption Front view (03-04-2022)

Clear Photo One



Photo Two

Photo Two Caption Rear view (03-04-2022)

Clear Photo Two

BUILDING PHOTOGRAPHS

OMB No. 1660-0008
Expiration Date: November 30, 2022

ELEVATION CERTIFICATE

Continuation Page

IMPORTANT: In these spaces, copy the corresponding information from Section A.			FOR INSURANCE COMPANY USE
Building Street Address (including Apt., Unit, Suite, and/or Bldg. No.) or P.O. Route and Box No. 126 Clifton Road			Policy Number:
City Barnegat	State New Jersey	ZIP Code 08005	Company NAIC Number

If submitting more photographs than will fit on the preceding page, affix the additional photographs below. Identify all photographs with: date taken; "Front View" and "Rear View"; and, if required, "Right Side View" and "Left Side View." When applicable, photographs must show the foundation with representative examples of the flood openings or vents, as indicated in Section A8.



Photo Three

Photo Three Caption Engineered flood vent: Smart Vent 1540-570 (03-04-2022)

Clear Photo Three

Photo Four

Photo Four

Photo Four Caption

Clear Photo Four



ICC
EVALUATION
SERVICE

In Compliance with



Most Widely Accepted and Trusted

ICC-ES Evaluation Report

ESR-2074

Reissued 02/2019

ICC-ES | (800) 423-6587 | (562) 699-0543 | www.icc-es.org

This report is subject to renewal 02/2021.

DIVISION: 08 00 00—OPENINGS

SECTION: 08 95 43—VENTS/FOUNDATION FLOOD VENTS

REPORT HOLDER:

SMART VENT PRODUCTS, INC.

EVALUATION SUBJECT:

**SMART VENT® AUTOMATIC FOUNDATION FLOOD VENTS:
MODELS #1540-520; #1540-521; #1540-510; #1540-511; #1540-570; #1540-574;
#1540-524; #1540-514
FLOOD VENT SEALING KIT #1540-526**



"2014 Recipient of Prestigious Western States Seismic Policy Council (WSSPC) Award in Excellence"



A Subsidiary of

ICC-ES Evaluation Reports are not to be construed as representing aesthetics or any other attributes not specifically addressed, nor are they to be construed as an endorsement of the subject of the report or a recommendation for its use. There is no warranty by ICC Evaluation Service, LLC, express or implied, as to any finding or other matter in this report, or as to any product covered by the report.



Copyright © 2019 ICC Evaluation Service, LLC. All rights reserved.

DIVISION: 08 00 00—OPENINGS
Section: 08 95 43—Vents / Foundation Flood Vents

REPORT HOLDER:

SMART PRODUCT INNOVATIONS, INC.

EVALUATION SUBJECT:

FREEDOM FLOOD VENT™ AUTOMATIC FOUNDATION FLOOD VENT: MODEL FFV-1608

1.0 EVALUATION SCOPE

Compliance with the following codes:

- 2021, 2018, 2015, 2012, 2009 and 2006 *International Building Code*® (IBC)
- 2021, 2018, 2015, 2012, 2009 and 2006 *International Residential Code*® (IRC)

Properties evaluated:

- Physical operation
- Water flow
- Weathering

2.0 USES

The model FFV-1608 Freedom Flood Vent™ is used to equalize hydrostatic pressure on walls of enclosures subject to rising or falling floodwaters. With the cover removed, the model FFV-1608 also provides natural air ventilation.

3.0 DESCRIPTION

3.1 General:

The model FFV-1608 Freedom Flood Vent™ is an engineered mechanically operated in-wall flood vent (FV) that automatically allows floodwater to enter an enclosed area and exit. The FV is comprised of a polycarbonate frame with mounting flange and a polycarbonate horizontally pivoting door. When subjected to rising water, the model FFV-1608 Freedom Flood Vent™ door is activated and pivots to allow water and debris to flow in either direction to equalize hydrostatic pressure from one side of the enclosure to the other. The FV features a removable polycarbonate cover. The FV door will activate and pivot when subjected to rising water with or without the polycarbonate cover installed.

3.2 Engineered Opening:

The FV complies with the design principle noted in Section 2.7.2.2 and Section 2.7.3 of ASCE/ SEI 24-14 (2021, 2018 and 2015 IBC and IRC) [Section 2.6.2.2 of ASCE/ SEI 24-05 (2012, 2009, 2006 IBC and IRC)] for a maximum rate of rise and fall of 5.0 feet per hour (0.423 mm/s). In order to comply with the engineered opening requirement of ASCE/ SEI 24, Freedom Flood Vent™ FVs must be installed in accordance with Section 4.0 below. See Table 1 for vent size and maximum allowable area coverage for a single vent.

4.0 DESIGN AND INSTALLATION

The model FFV-1608 Freedom Flood Vent™ is designed to be installed into walls or overhead doors of existing or new construction. Installation of the vent must be in accordance with the manufacturer's instructions, the applicable code, and this report. In order to comply with the engineered opening design principle noted in Sections 2.7.2.2 and 2.7.3 of ASCE/ SEI 24-14 (2021, 2018 and 2015 IBC and IRC) [Section 2.6.2.2 of ASCE/ SEI 24-05 (2012, 2009, 2006 IBC and IRC)], the Freedom Flood Vent™ must be installed as follows:

- With a minimum of two openings on different sides of each enclosed area.
- With a minimum of one FV for every 250 square feet (23.2 m²) of enclosed area.
- Below the base flood elevation.
- With the bottom of the vent located a maximum of 12 inches (305.4 mm) above the higher of the final interior grade or floor and the finished exterior grade immediately under each opening.

5.0 CONDITIONS OF USE

The Freedom Flood Vent™ described in this report complies with, or is a suitable alternative to what is specified in, those codes listed in Section 1.0 of this report, subject to the following conditions:

- 5.1** The model FFV-1608 Freedom Flood Vent™ unit must be installed in accordance with this report, the applicable code and the manufacturer's published installation instructions. In the event of a conflict, the instructions in this report shall govern.
- 5.2** The model FFV-1608 Freedom Flood Vent™ unit must not be used in place of "breakaway walls" in coastal high hazard areas, but are permitted for use in conjunction with breakaway walls in other areas.

5.3 Use of the Freedom Flood Vent as under-floor space ventilation is outside the scope of this report.

6.0 EVIDENCE SUBMITTED

Data in accordance with the ICC-ES Acceptance Criteria for Mechanically Operated Flood Vents (AC364), dated August 2015 (editorially revised February 2021).

7.0 IDENTIFICATION

7.1 The Freedom Flood Vent™ model described in this report must be identified by a label bearing the manufacturer's name (Smart Product Innovations, Inc.) and the evaluation report number (ESR-4332).

7.2 The report holder's contact information is the following:

SMART PRODUCT INNOVATIONS, INC.
 430 ANDBRO DRIVE, UNIT 1
 PITMAN, NEW JERSEY 08071
 (800) 507-1527
www.freedomfloodvent.com
info@freedomfloodvent.co

TABLE 1—FREEDOM FLOOD VENT™

MODEL NAME	MODEL NUMBER	MODEL SIZE	COVERAGE (sq. ft.)
Freedom Flood Vent™	FFV-1608	15 ³ / ₄ " X 8 ¹ / ₁₆ "	250

For SI: 1 inch = 25.4 mm

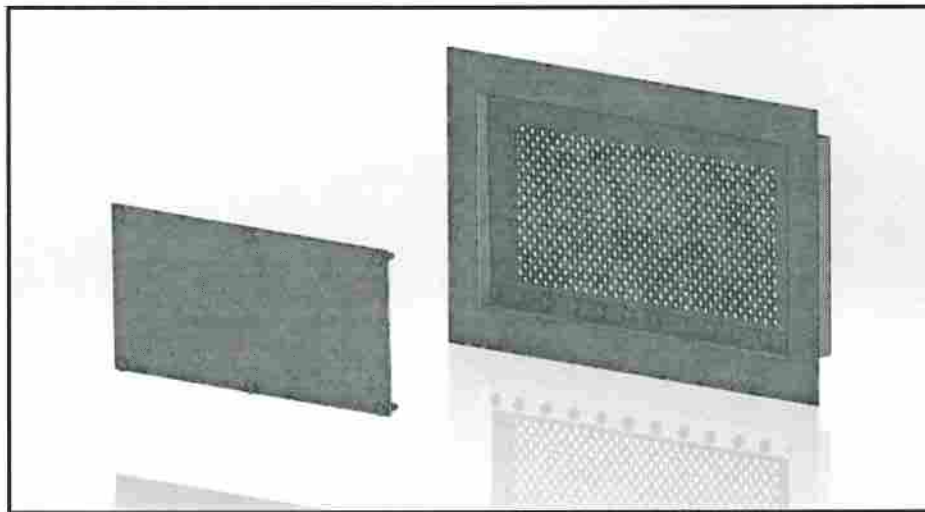


FIGURE 1—MODEL FFV-1608 FREEDOM FLOOD VENT™: SHOWN WITH COVER REMOVED

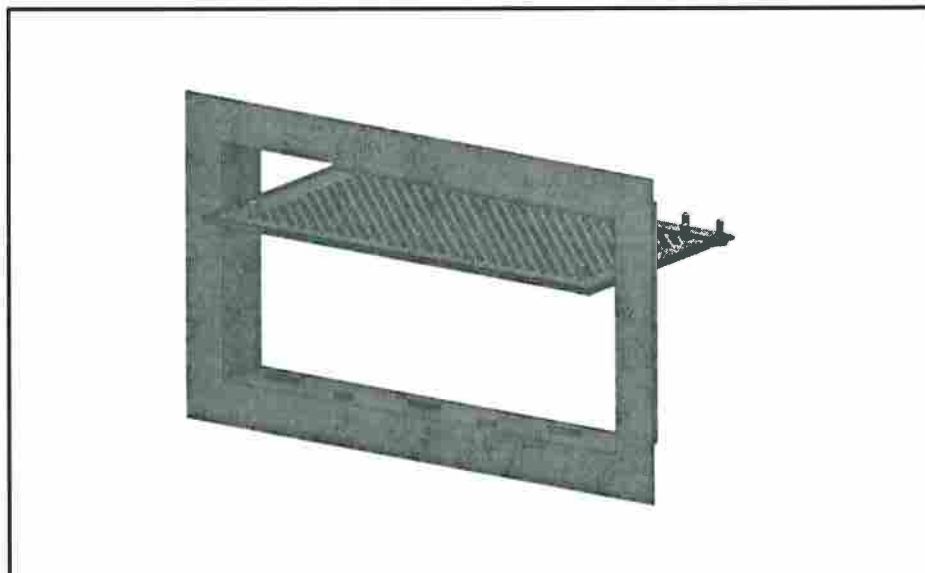


FIGURE 2—MODEL FFV-1608 FREEDOM FLOOD VENT™: SHOWN WITH FLOOD DOOR PIVOTED OPEN

DIVISION: 08 00 00—OPENINGS**Section: 08 95 43—Vents / Foundation Flood Vents****REPORT HOLDER:****SMART PRODUCT INNOVATIONS, INC.****EVALUATION SUBJECT:****FREEDOM FLOOD VENT™ AUTOMATIC FOUNDATION FLOOD VENT: MODEL FFV-1608****1.0 REPORT PURPOSE AND SCOPE****Purpose:**

The purpose of this evaluation report supplement is to indicate that the Freedom Flood Vent™ Automatic Foundation Flood Vent: Model FFV-1608, described in ICC-ES evaluation report ESR-4332, has also been evaluated for compliance with codes noted below.

Applicable code edition(s):

- 2019 California Building Code (CBC)

For evaluation of applicable chapters adopted by the California Office of Statewide Planning and Development (OSHPD) and Division of State Architect (DSA), see Sections 2.1.1 and 2.1.2 below.

- 2019 California Residential Code (CRC)

2.0 CONCLUSIONS**2.1 CBC:**

The Freedom Flood Vent™ Automatic Foundation Flood Vent: Model FFV-1608, described in Sections 2.0 through 7.0 of the evaluation report ESR-4332, complies with CBC Chapter 12 provided the design and installation are in accordance with the 2018 *International Building Code*® (IBC) provisions noted in the evaluation report and the additional requirements of CBC Chapters 12 and 16, as applicable.

2.1.1 OSHPD: The applicable OSHPD Sections and Chapters of the CBC are beyond the scope of this supplement.

2.1.2 DSA: The applicable DSA Sections and Chapters of the CBC are beyond the scope of this supplement.

2.2 CRC:

The Freedom Flood Vent™ Automatic Foundation Flood Vent: Model FFV-1608, described in Sections 2.0 through 7.0 of the evaluation report ESR-4332, complies with the 2019 CRC, provided the design and installation are in accordance with the 2018 *International Residential Code*® (IRC) provisions noted in the evaluation report.

This supplement expires concurrently with the evaluation report, reissued March 2020 and revised May 2021.

DIVISION: 08 00 00—OPENINGS

Section: 08 95 43—Vents / Foundation Flood Vents

REPORT HOLDER:

SMART PRODUCT INNOVATIONS, INC.

EVALUATION SUBJECT:

FREEDOM FLOOD VENT™ AUTOMATIC FOUNDATION FLOOD VENT: MODEL FFV-1608

1.0 REPORT PURPOSE AND SCOPE

Purpose:

The purpose of this evaluation report supplement is to indicate that Freedom Flood Vent™ Automatic Foundation Flood Vent: Model FFV-1608, described in ICC-ES evaluation report ESR-4332, has also been evaluated for compliance with the codes noted below.

Applicable code editions:

- 2020 *Florida Building Code—Building*
- 2020 *Florida Building Code—Residential*

2.0 CONCLUSIONS

The Freedom Flood Vent™ Automatic Foundation Flood Vent: Model FFV-1608, described in Sections 2.0 through 7.0 of the evaluation report ESR-4332, complies with the *Florida Building Code—Building* and the *Florida Building Code—Residential*, provided the design requirements are determined in accordance with the *Florida Building Code—Building* and the *Florida Building Code—Residential*, as applicable. The installation requirements noted in ICC-ES evaluation report ESR-4332 for the 2018 *International Building Code*® (IBC) meet the requirements of *Florida Building Code—Building* and the *Florida Building Code—Residential*, as applicable.

Use of the Freedom Flood Vent™ Automatic Foundation Flood Vent: Model FFV-1608 has also been found to be in compliance with the High-Velocity Hurricane Zone provisions of the *Florida Building Code—Building* and the *Florida Building Code—Residential*.

For products falling under Florida Rule 61G20-3, verification that the report holder's quality assurance program is audited by a quality assurance entity approved by the Florida Building Commission for the type of inspections being conducted is the responsibility of an approved validation entity (or the code official, when the report holder does not possess an approval by the Commission).

This supplement expires concurrently with the evaluation report, reissued March 2020 and revised May 2021.