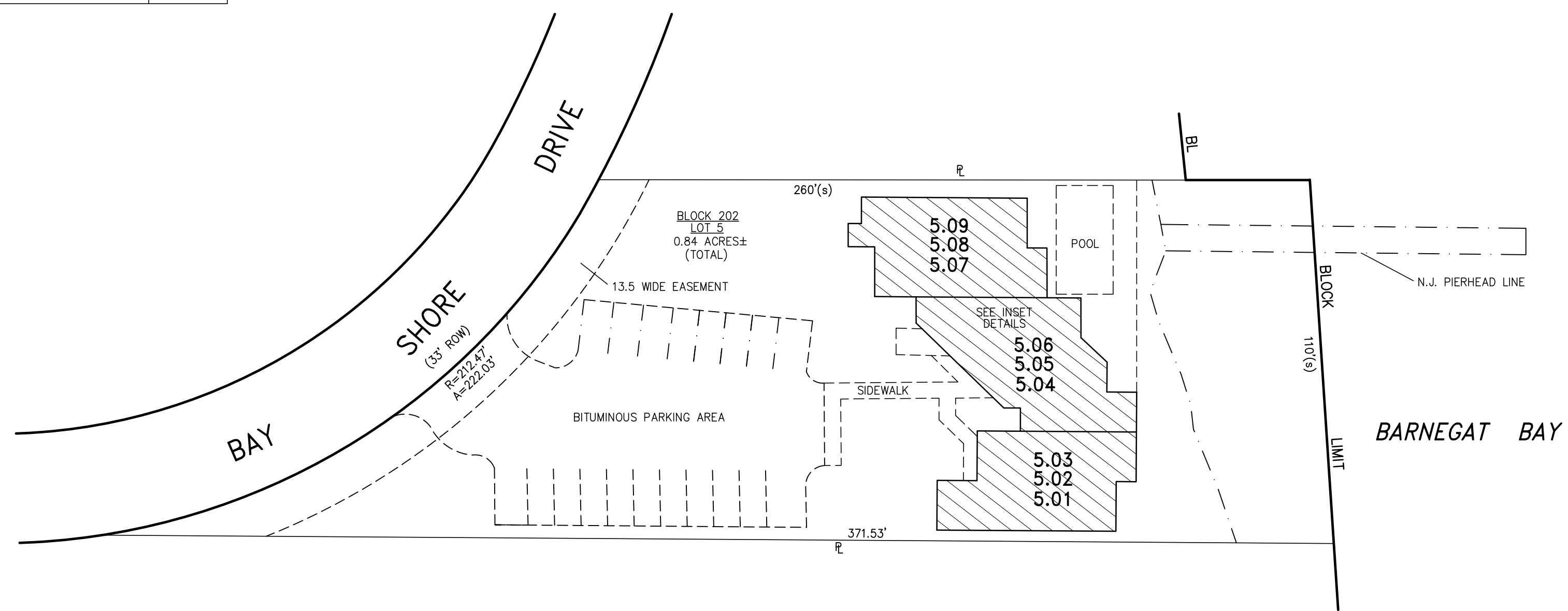
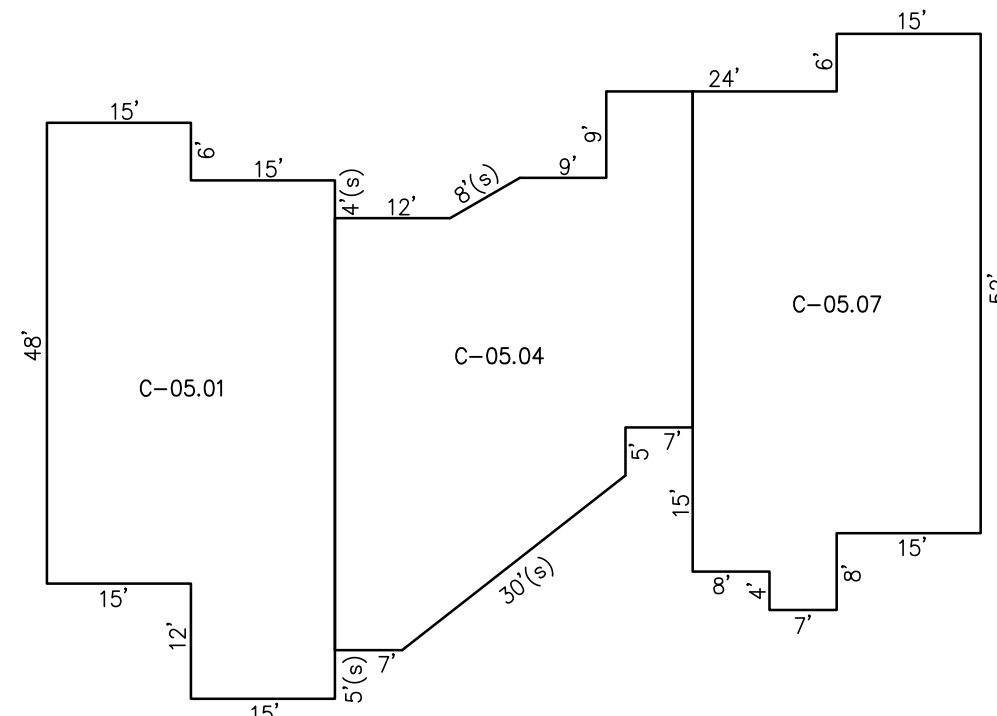


REVISIONS		
6-20-2007	CRAIG F. REMINGTON	23924

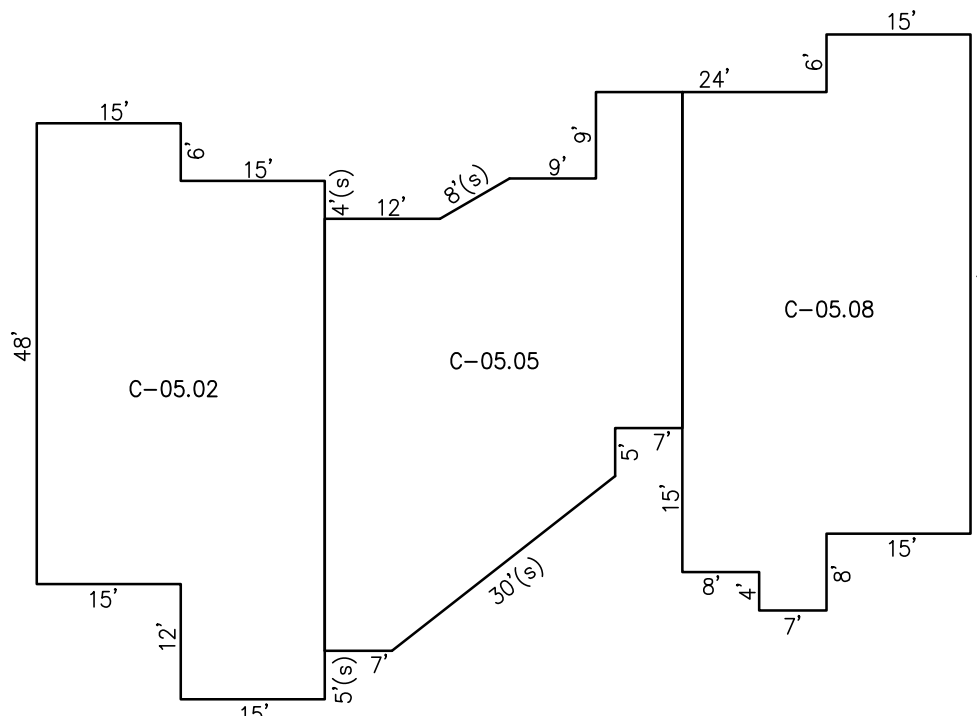


PLAN
SCALE: 1"=30'

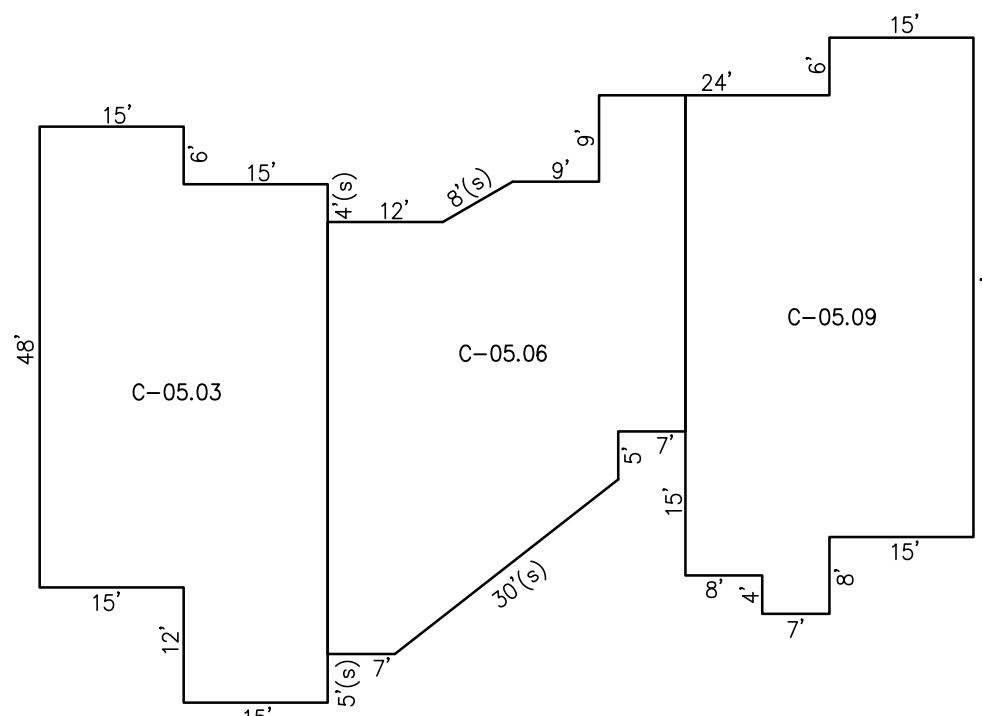
**BLOCK 202, LOT 5
SPINNAKER
1605 BAY AVENUE
INSET "F"**



FIRST FLOOR



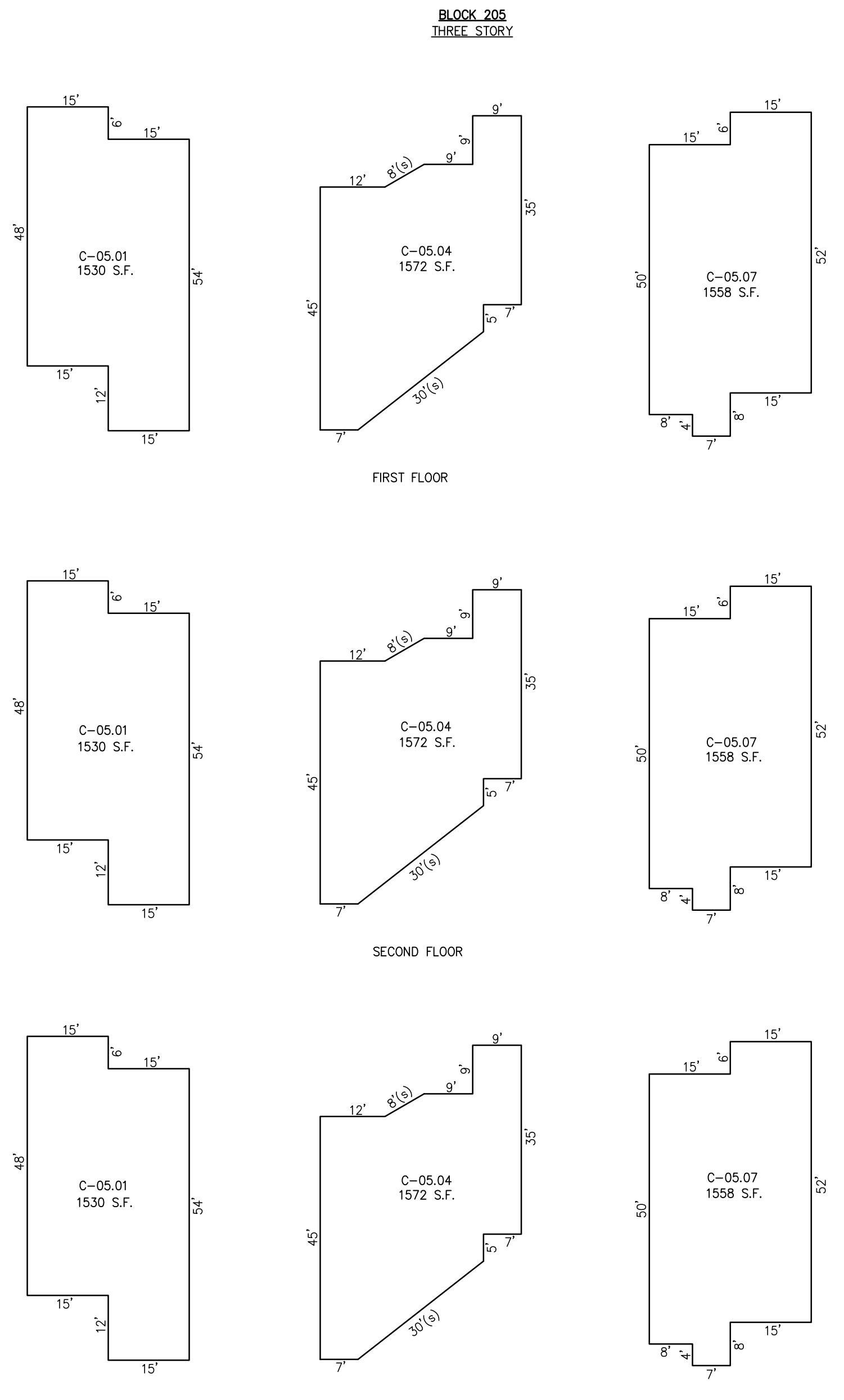
SECOND FLOOR



THIRD FLOOR

NOTE: DIMENSIONS AND SQUARE FOOTAGE ARE TYPICAL FOR SIMILAR UNITS

DETAILS
SCALE: 1"=20'



FIRST FLOOR

SECOND FLOOR

THIRD FLOOR

NOTE: DIMENSIONS AND SQUARE FOOTAGE ARE TYPICAL FOR SIMILAR UNITS

DETAILS
SCALE: 1"=20'

CONDOMINIUM DETAILS AND DIMENSIONS
BLOCK 202, LOT 5
SEE PLATE 124

"THIS TAX MAP PLATE HAS BEEN DIGITALLY DRAWN USING COMPUTER-AIDED DRAFTING/DESIGN (CADD) AND COORDINATE GEOMETRY (COGO). IT IS BASED ON THE ORIGINAL DIGITALLY DRAWN TAX MAP PLATE BEARING THE OFFICIAL NEW JERSEY DIVISION OF TAXATION APPROVAL STAMP WITH APPROVAL DATE (7-31-2006) SERIAL NUMBER (896) AND SIGNATURES OF SIGNERS' JAMES J. COLL, CHIEF, LOCAL ASSESSMENT, SANTO C. DIDONATO, SUPERVISING FIELD REPRESENTATIVE. THIS TAX MAP PLATE HAS BEEN DIGITALLY UPDATED TO REFLECT CONDITIONS AS OF 6-20-07. THE ORIGINAL DIGITALLY DRAWN TAX MAP PLATE WITH THE OFFICIAL APPROVAL STAMP IS ON FILE WITH THE TOWNSHIP OF BARNEGAT ENGINEER."

**TAX MAP
TOWNSHIP OF BARNEGAT**

OCEAN COUNTY NEW JERSEY
SCALE: NOTED DATE: 5-9-2005
CRAIG F. REMINGTON LAND SURVEYOR LIC. NO. 23924

REMINGTON, VERNICK & VENA ENGINEERS
24 GA 28003300
9 ALLEN STREET, TOMS RIVER, NJ 08753
(732) 286-9220, FAX (732) 505-8416
WEB SITE ADDRESS: WWW.RVVE.COM