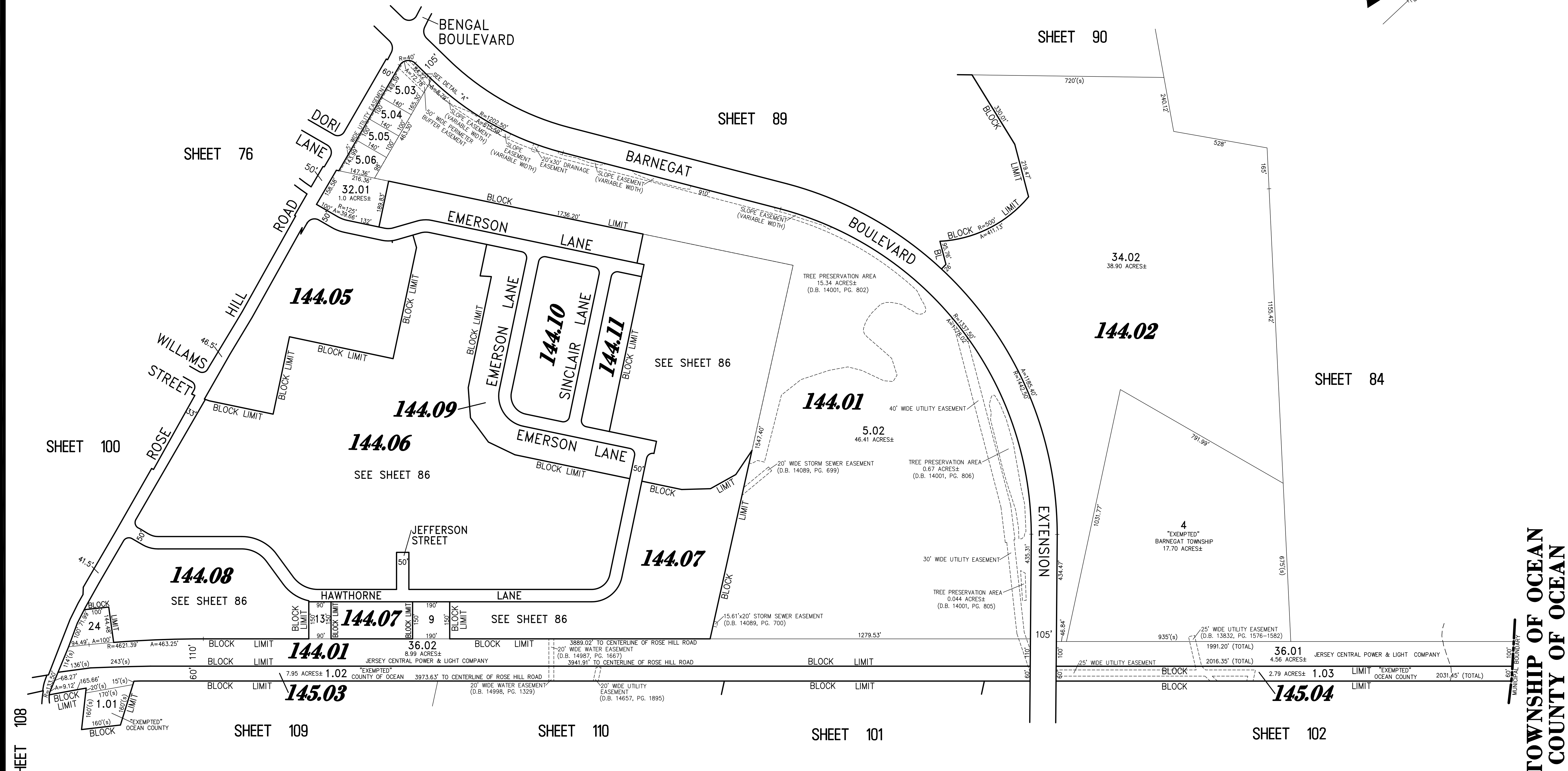
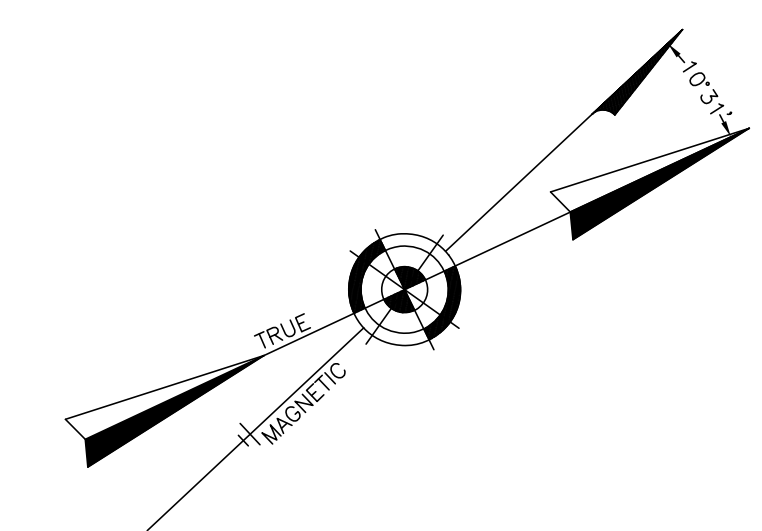
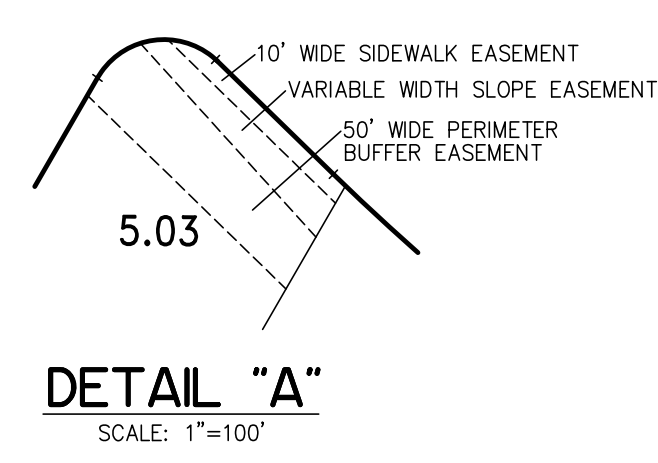


REVISIONS		
12-31-2008	CRAIG F. REMINGTON	23924
5-1-2010	CRAIG F. REMINGTON	23924
10-15-2010	CRAIG F. REMINGTON	23924
12-31-2011	CRAIG F. REMINGTON	23924
8-27-2013	CRAIG F. REMINGTON	23924



SHEET 108

SHEET 76

SHEET 89

SHEET 90

SHEET 84

SHEET 100

SHEET 109

SHEET 110

SHEET 101

SHEET 102

TOWNSHIP OF OCEAN
COUNTY OF OCEAN

TAX MAP TOWNSHIP OF BARNEGAT

OCEAN COUNTY NEW JERSEY
SCALE: 1" = 200' DATE: 2-16-2004

CRAIG F. REMINGTON LAND SURVEYOR LIC. NO. 23924



REMINGTON, VERNICK & VENA ENGINEERS
9 ALLEN STREET, TOMS RIVER, N.J. 08753
(732) 286-9220, FAX (732) 505-8416
WEB SITE ADDRESS: WWW.RVVE.COM

"THIS TAX MAP PLATE HAS BEEN DIGITALLY DRAWN USING COMPUTER-AIDED DRAFTING/DESIGN (CADD) AND COORDINATE GEOMETRY (COGO). IT IS BASED ON THE ORIGINAL DIGITALLY DRAWN TAX MAP PLATE BEARING THE OFFICIAL NEW JERSEY DIVISION OF TAXATION APPROVAL STAMP WITH APPROVAL DATE (7-31-2006) SERIAL NUMBER (896) AND SIGNATURES OF SIGNERS' JAMES J. COLL, CHIEF, LOCAL ASSESSMENT, SANTO C. DIDONATO, SUPERVISING FIELD REPRESENTATIVE. THIS TAX MAP PLATE HAS BEEN DIGITALLY UPDATED TO REFLECT CONDITIONS AS OF 8-27-2013. THE ORIGINAL DIGITALLY DRAWN TAX MAP PLATE WITH THE OFFICIAL APPROVAL STAMP IS ON FILE WITH THE TOWNSHIP OF BARNEGAT ENGINEER."